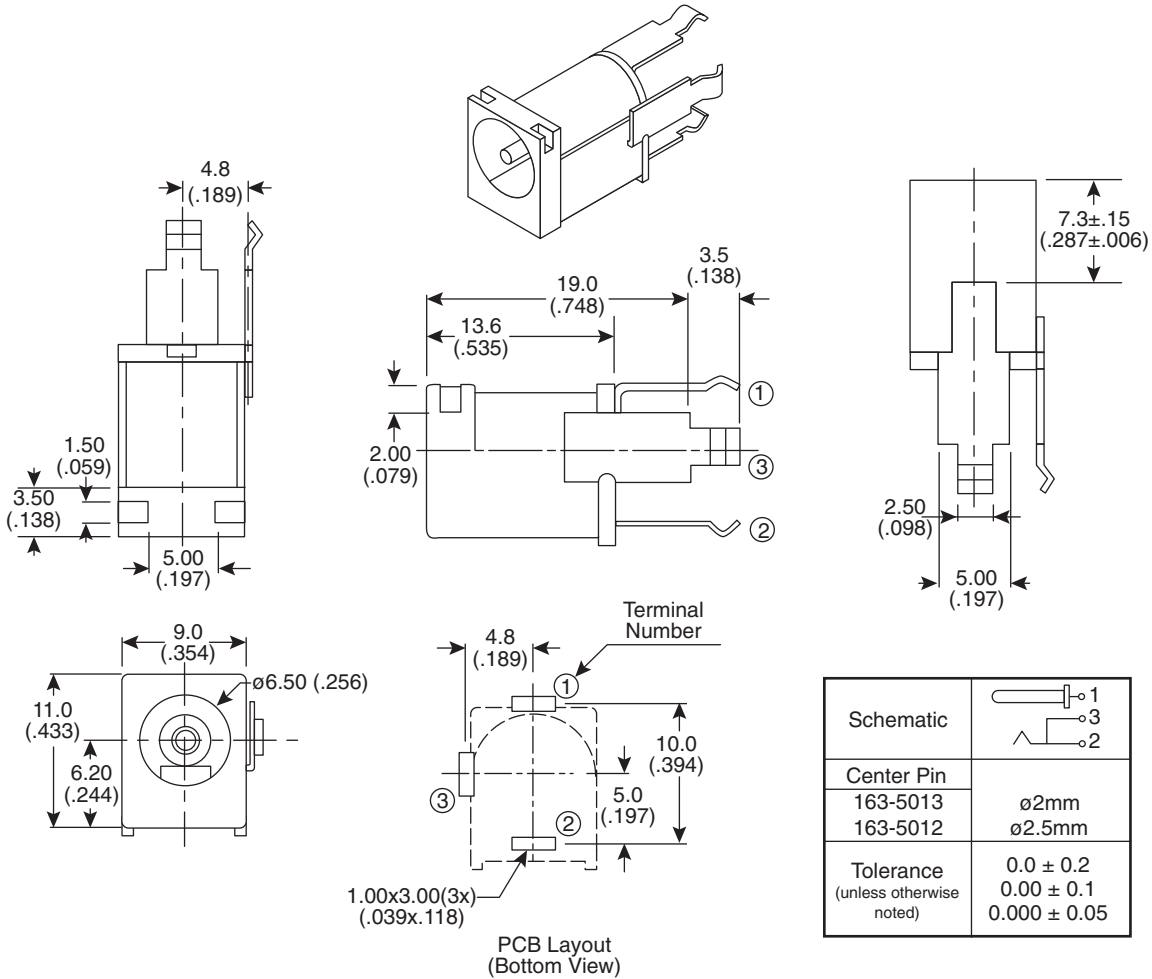


Jacks

163-5012, 163-5013



Jacks



Schematic	
Center Pin	
163-5013	ø2mm
163-5012	ø2.5mm
Tolerance (unless otherwise noted)	0.0 ± 0.2 0.00 ± 0.1 0.000 ± 0.05

DIMENSIONS: mm (in.)

SPECIFICATIONS	
Type:	PC mount DC power, DIP
Contact resistance:	Normally closed terminals shall not exceed 0.03Ω when measured at a current of one Ampere by Voltage drop method.
Insulation resistance:	Adjacent open terminals shall not be less than 50MΩ when measured w/ 500V resistance meter
Connector:	Withstands 500VRMS between adjacent open terminal for 1 minute. Shall Withstand 5,000 cycles of insertions and withdrawal with testing plug, contact resistance shall not exceed 0.1Ω
Rated voltage:	16V DC max.
Rated current:	2.5 A

MATERIALS	
Center Pin:	Copper
Terminal 1:	Brass
Terminal 2:	Copper Alloy
Terminal 3:	Brass
Housing:	PBT
Cover:	PBT

Date Last Revised: 3-25-10

Available from Mouser Electronics
1-800-346-6873 / www.mouser.com

KC-300386

163-5012, 163-5013

Mouser Electronics

Authorized Distributor

Click to View Pricing, Inventory, Delivery & Lifecycle Information:

[Kobiconn:](#)

[163-5013](#) [163-5012](#)