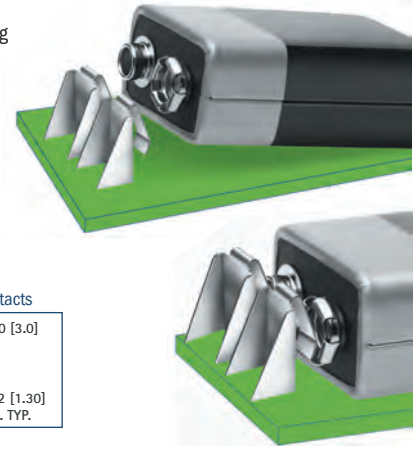
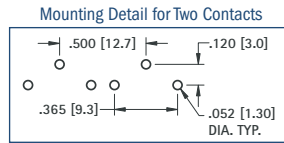
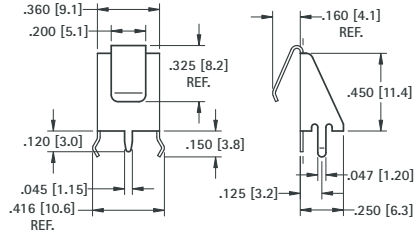


## HORIZONTAL 9 VOLT PC LEAF-SPRING CONTACT

- Ideal "Slide-In" contact for easy installation and removal of 9 Volt batteries
- Space saving design installs directly onto the PC board
- Suitable for .062 (1.57) to .093 (2.36) thick PC boards

- Reliable leaf-spring assures low contact resistance
- Ideal for self-contained battery compartments
- Snap-in mounting legs holds contact secure during wave soldering

**MATERIAL:** .012 (.30) Spring Steel, Tin-Nickel Plate

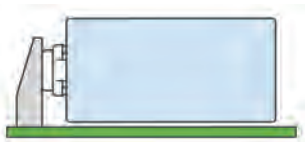


**CAT. NO. 590**

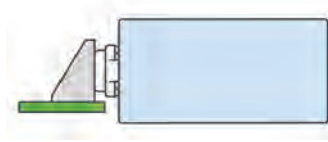
## HORIZONTAL 9 VOLT PC SNAP-ON CONTACTS

**Mounts Directly to Printed Circuit Board**

- Space saving design installs directly onto the PC board
- Suitable for .062 (1.57) to .093 (2.36) thick PC boards
- Ideal for self-contained battery compartments



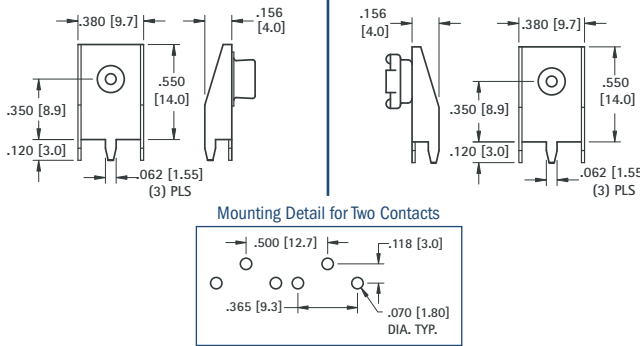
To Mount Battery "On" PC Board  
Use Cat. No. 593 and Cat. No. 594



To Mount Battery "Off" PC Board  
Use Cat. No. 635 and Cat. No. 636

**MATERIAL: Frame:** .015 (.38) Steel, Matte Tin Plate; **Contacts:** Steel, Nickel Plate

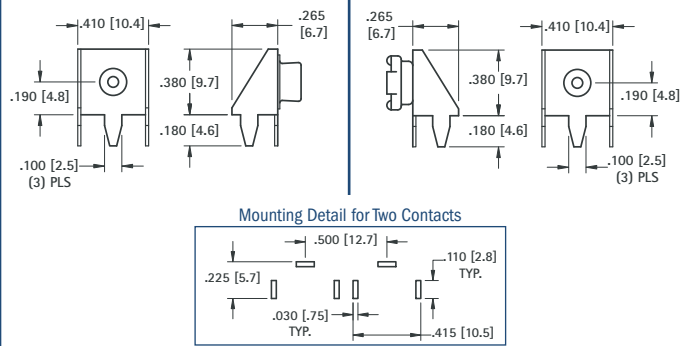
**"Off-Board"**



**CAT. NO. 593 (Male)**

**CAT. NO. 594 (Female)**

**"Off-Board"**



**CAT. NO. 635 (Male)**

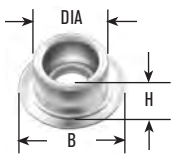
**CAT. NO. 636 (Female)**

## BATTERY SNAP-ONS

For most electronic applications requiring a quick connect and disconnect of circuit. Commonly used with 9 Volt or other batteries designed with snap fasteners. Ideal for temporary or permanent means of connecting without soldering. Can be cascaded together for multiple connections.

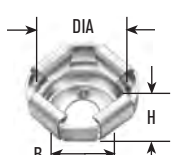
**SOCKET OR STUD ONLY**

**FIG. 1**



Stud only

**FIG. 2**



Socket only

**SOCKET OR STUD W/CRIMP LUG**

**FIG. 3**



Stud w/Crimp Lug

**FIG. 4**



Socket w/Crimp Lug

CAT. NO.	FIG. NO.	DIA	H	B	HOLE	SIZE	MATERIAL
261*	1	.224 (5.7)	.135 (3.4)	.312 (7.9)	.097 (2.5)	Junior*	Steel, Nickel Plate
269*	2	.210 (5.3)	.150 (3.8)	.250 (6.4)	.096 (2.4)	Junior*	Steel, Nickel Plate
262	1	.283 (7.2)	.143 (3.6)	.423 (10.7)	.125 (3.2)	Senior	Brass, Nickel Plate
270	2	.261 (6.6)	.145 (3.7)	.312 (7.9)	.125 (3.2)	Senior	Brass, Nickel Plate

\*Use Jr. Socket and stud for standard 9 Volt Battery

DIMENSIONS ARE FOR REFERENCE ONLY

\*Use Jr. Socket and stud for standard 9 Volt Battery

CAT. NO.	FIG. NO.	DIA	H	L	SIZE	MATERIAL
263*	3	.225 (5.7)	.170 (4.3)	.790 (20.1)	Junior*	Stud: Steel, Nickel Plate Lug: Brass, Tin Plate
271*	4	.205 (5.2)	.200 (5.1)	.790 (20.1)	Junior*	Stud: Steel, Nickel Plate Lug: Brass, Tin Plate
264	3	.283 (7.2)	.185 (4.7)	.840 (21.3)	Senior	Stud: Brass, Nickel Plate Lug: Brass, Tin Plate
272	4	.265 (6.7)	.185 (4.7)	.835 (21.2)	Senior	Stud: Brass, Nickel Plate Lug: Brass, Tin Plate

# Mouser Electronics

Authorized Distributor

Click to View Pricing, Inventory, Delivery & Lifecycle Information:

[Keystone Electronics:](#)

[635](#) [636](#) [264](#) [270](#) [261](#) [262](#) [269](#) [272](#) [594](#) [593](#) [263](#) [271](#)