

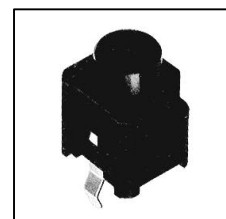
Jack Connectors

Order code	Manufacturer code	Description
20-1654	n/a	STEREO UNSWITCHED VERT. SOCKET (RC)

Jack Connectors	Page 1 of 2
The enclosed information is believed to be correct, Information may change 'without notice' due to product improvement. Users should ensure that the product is suitable for their use. E. & O. E.	Revision A 04/07/2003

Professional 3.5mm Jack Socket

Jalco 3.5 Diameter S3A VT Series



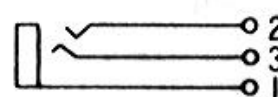
Specifications

Order Code : **20-1654**
Description : Stereo Unswitched Vertical PCB Mounting Socket
Jalco Ref No. : YK21-5157

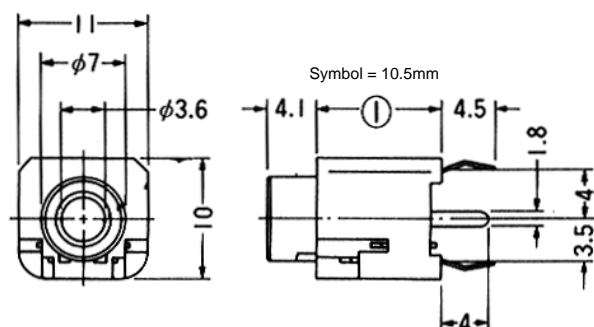
Material

Housing : Black ABS – UL94HB
Earth Contact : C5191R (Phosphor Bronze) t0.3
Ring Contact : C5191R (Phosphor Bronze) t0.3
Tip Contact : C5191R (Phosphor Bronze) t0.3

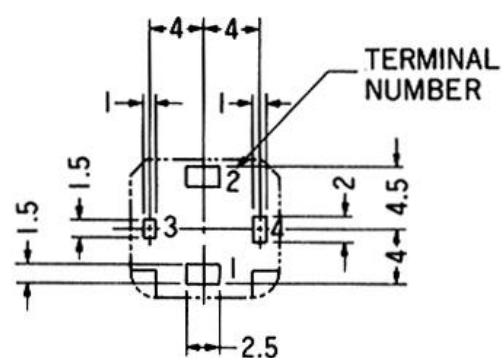
Contact Arrangement



Dimensions



PCB Hole Layout



HOLE LAYOUT (PRINTED-SIDE VIEW)
PWB t = 1.6